

PHOTO COUPLER

Kinglight® 晶台

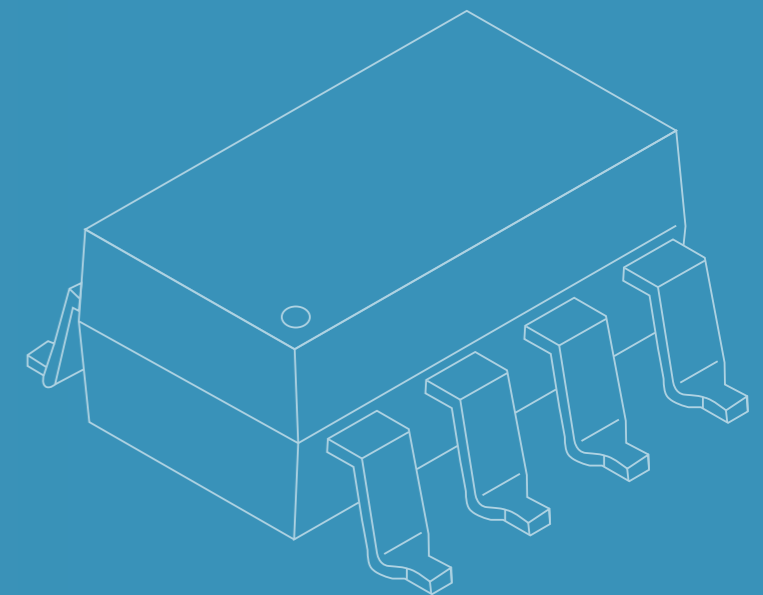
为客户提供多元应用的光耦器件产品

晶台光电 光耦器件产品图册

Kinglight® 晶台

苏州晶台光电有限公司
苏州张家港市杨舍镇国泰北路1688号

网站: www.kinglight.com





为客户提供多元应用的光耦器件产品

To provide customers with multiple applications of
optocoupler products



COMPANY PROFILE

公司简介

关于晶台

苏州晶台光电有限公司成立于2014年，是专业从事光电耦合器 (Optocoupler)及其他光电半导体器件研发生产销售的国家高新技术企业。晶台光电以多年光电产业的深厚实力，整合专业研发、业务及市场团队，以客户需求为导向，目前已成为国内规模最大的光电半导体制造企业之一。

公司的技术与产品涵盖了众多领域，在多个技术领域保持了国内领先的地位。基于公司在光电半导体领域的实力积累，晶台为客户提供针对性的光电耦合器件的产品应用解决方案。晶台光电耦合器件涵盖光电晶体管、施密特触发器、可控硅光耦、高速隔离运放光耦、PhotoMos SSR光耦、IGBT隔离驱动、IPM接口隔离高速光耦及线性光耦等类别，为新能源汽车、储能逆变变频、伺服工控、工业控制、5G通讯、电力电网、家电安防等各个行业提供产品服务。

从成立至今，晶台光电高度重视技术研发和创新工作，建立业界领先的技术研发中心，包括江苏省/广东省光电工程技术研究中心、深圳市亚毫米级光源器件工程实验室、深圳市开放性研究开发基地。打造行业领先严苛品质评价体系，企业先后通过了ISO9001质量管理体系、ISO14000环境管理体系、车规级TS16949质量管理体系认证。晶台光电多次荣获国家高新技术企业、国内LED知名品牌、行业十佳品牌等荣誉称号。

About Kinglight

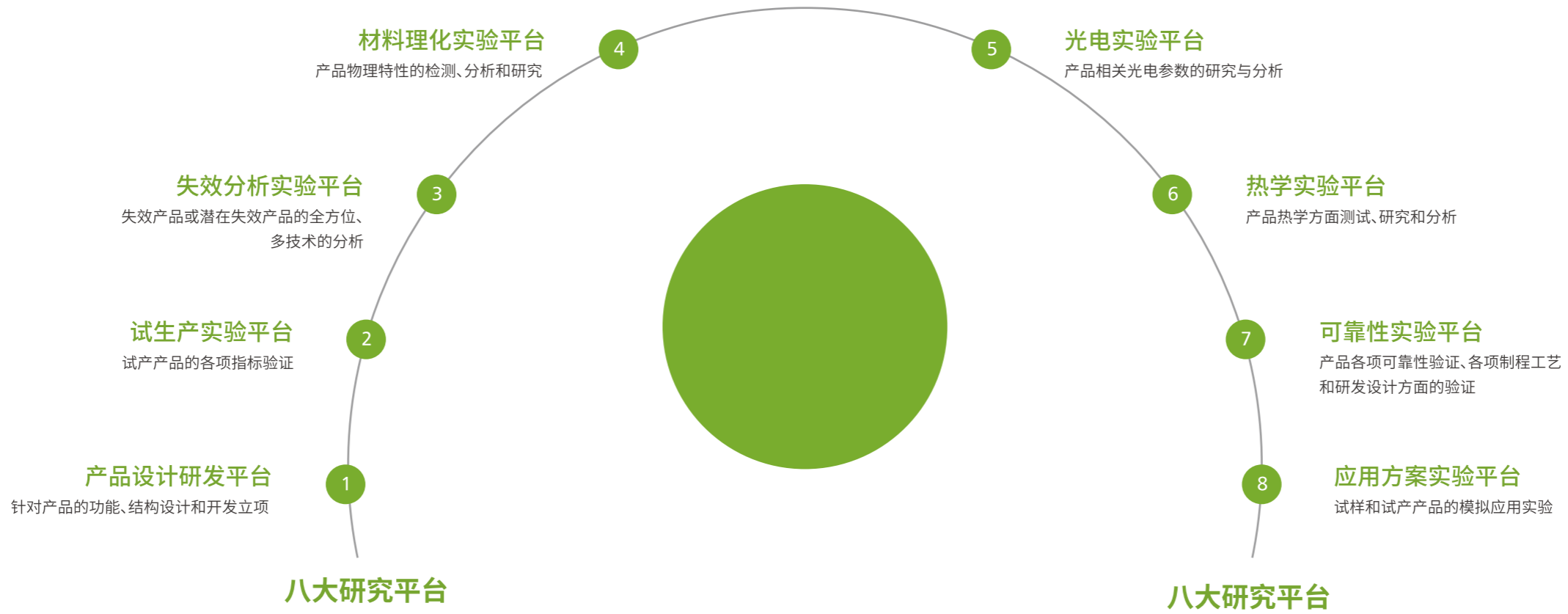
Established in 2014, Suzhou Kinglight Optoelectronics Co., Ltd. is a national high-tech enterprise specialising in the research, development, production and sales of optocouplers and other optoelectronic semiconductor devices. With years of experience in the optoelectronics industry, Kinglight With years of experience in the optoelectronic industry, deep strength, integration of professional R&D, business and marketing teams, and orientation to customer needs, Kinglight Optoelectronics has become one of the largest optoelectronic semiconductor manufacturing enterprises in China.

The company's technology and products cover a wide range of fields, maintaining a leading position in several technology fields in China. Based on the company's accumulated strength in opto semiconductors, Kinglight provides customers with targeted product application solutions for optoelectronic coupling devices. The photocoupled devices cover phototransistors, Schmitt triggers, SCR optocouplers, high-speed isolated op amp optocouplers, PhotoMos SSR optocouplers, GBT isolated drivers, IPM interface isolated high-speed optocouplers and linear optocouplers, providing product services for various industries such as new energy vehicles, energy storage inverters, servo industrial control, industrial control, 5G communication, power grid home appliance security, etc.

Since its establishment, Kinglight has attached great importance to technology R&D and innovation, and established industry-leading technology R&D centers, including Jiangsu Province/Guangdong Province Optoelectronics Engineering Technology Research Center, Shenzhen Submeter Light Source Device Engineering Laboratory, and Shenzhen Open Research and Development Base. The company has passed SO9001 quality management system, ISO14000 environmental management system and TS16949 quality management system certification. Kinglight has been honored as a national high-tech enterprise, a well-known domestic LED brand, and one of the top ten brands in the industry.



R&D STRENGTH + 研发实力



• 研发实验室



可靠性实验室



环境寿命实验室



光电实验室



无损检测实验室



环境可靠性实验室

• 专利证书



5+
国际PCT专利

11+
发明专利

171+
新型实用专利



MANUFACTURING STRENGTH

制造实力

晶台规模化的光耦器件生产基地



江苏省张家港市

苏州（独立工业园）
 园区占地面积：150亩
 员工数量：1000+
 月产能：1000KK

广东省深圳市

深圳
 人员：200+



+

PRODUCT SERIES

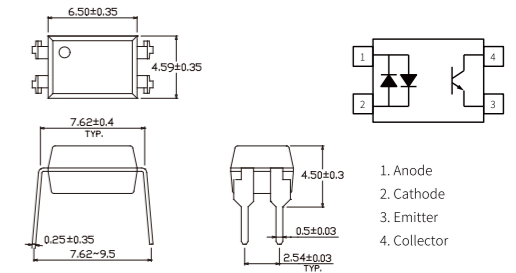
产品系列

Photo Transistor	08
4pin DIP-AC	08
4pin DIP-DC	08
4pin SOP-AC	09
4pin SOP-DC	09
4pin SSOP-AC	10
4pin SSOP-DC	10
4pin Long Creepage	11
5pin Long Creepage	11
4pin DIP-DC	12
6pin DIP-AC	12
Photo Darlington	13
4pin SOP-DC	13
4pin DIP-DC	13
6pin DIP-DC	14
8pin DIP-DC	14
High Speed	15
5pin SOP-DC	15/16
8pin DIP-DC	16/17
Triac Driver	18
4pin DIP-DC	18
4pin SOP-DC	19
5pin DIP-DC	20
6pin DIP-DC	21
7pin DIP-DC	22
Solid State Relay	23
4pin DIP-DC	23
6pin DIP-DC	23
8pin DIP-DC	24
Schmitt Trigger	24
6pin DIP-DC	24
IGBT Gate Driver	25
5pin SOP-DC	25
6pin SDIP-DC	25
6pin SOP-DC	26
8pin DIP-DC	27
8PIN Wide Body DIP-DC	27
IPM Driver	28
6pin SOP-DC	28

PHOTO TRANSISTOR

4PIN DIP-AC

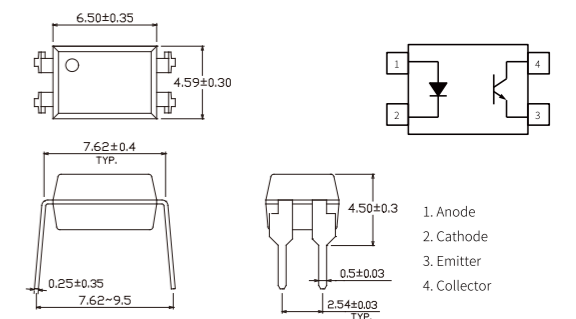
UNIT : mm



Product	Size (LxWxHmm)	Number of Channels	V _F (V)	BV _{CEO} (Min) (V)	V _{CE(SAT)} (Max) (V)	I _F (mA)	CTR (%)	tr (uS)	tf (uS)	ton (uS)	toff (uS)	Topr (Min) (degC)	Topr (Max) (degC)	Viso (V _{rms})
KL814	6.5x4.59x3.5	1	1.2	80	0.2	±1	20~300	7	11	-	-	-55	110	5000

4PIN DIP-DC

UNIT : mm

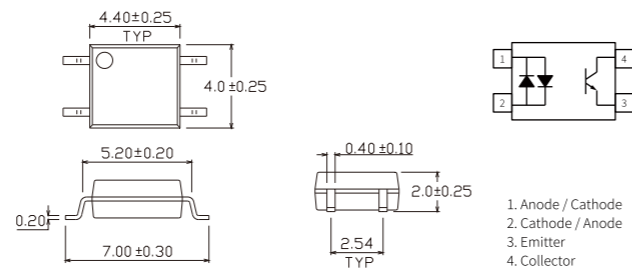


Product	Size (LxWxHmm)	Number of Channels	V _F (V)	BV _{CEO} (Min) (V)	V _{CE(SAT)} (Max) (V)	I _F (mA)	CTR (%)	tr (uS)	tf (uS)	ton (uS)	toff (uS)	Topr (Min) (degC)	Topr (Max) (degC)	Viso (V _{rms})
KL816	6.5x4.59x3.5	1	1.2	80	0.2	5	50~600	4	3	-	-	-55	110	5000
KL817	6.5x4.59x3.5	1	1.2	80	0.2	5	50~600	6	8	-	-	-55	110	5000
KL851	6.5x4.59x3.5	1	1.2	350	0.4	5	50~600	4	5	-	-	-55	100	5000
KL817L	6.5x4.59x3.5	1	1.2	70	0.2	0.5	100~350	6	8	-	-	-30	100	5000
KL817L	6.5x4.59x3.5	1	1.3	80	0.3	0.1	50~600	8	12	-	-	-55	110	5000
KL817H	6.5x4.59x3.5	1	1.2	80	0.3	5	50~600	6	8	-	-	-55	125	5000

PHOTO TRANSISTOR

4PIN SOP-AC

UNIT : mm

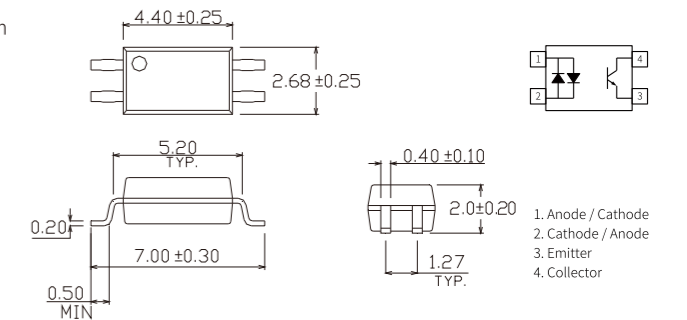


Product	Size (LxWxHmm)	Number of Channels	V _F (V)	BV _{CEO} (Min) (V)	V _{CE(SAT)} (Max) (V)	I _F (mA)	CTR (%)	tr (uS)	tf (uS)	Topr (Min) (degC)	Topr (Max) (degC)	Viso (V _{rms})
KL354N	4.4x4.0x2.0	1	1.2	80	0.2	±1	20~300	6	8	-55	100	3750

PHOTO TRANSISTOR

4PIN SSOP-AC

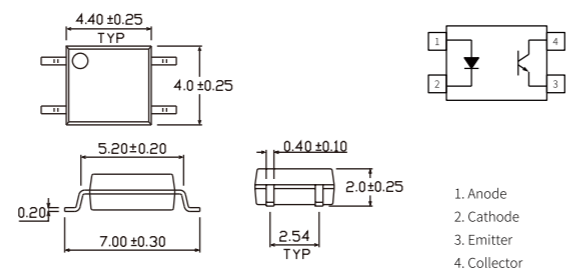
UNIT : mm



Product	Size (LxWxHmm)	Number of Channels	V _F (V)	BV _{CEO} (Min) (V)	V _{CE(SAT)} (Max) (V)	I _F (mA)	CTR (%)	tr (uS)	tf (uS)	Topr (Min) (degC)	Topr (Max) (degC)	Viso (V _{rms})
KL3H4	4.4x2.68x2.0	1	1.2	80	0.2	±1	20~300	6	8	-55	100	3750

4PIN SOP-DC

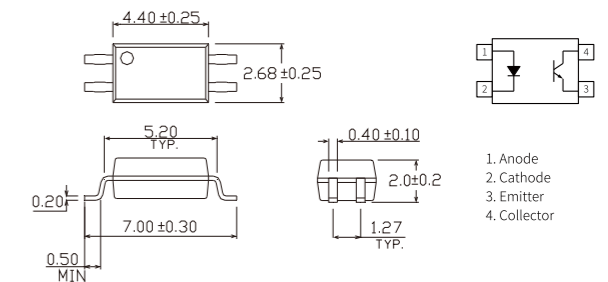
UNIT : mm



Product	Size (LxWxHmm)	Number of Channels	V _F (V)	BV _{CEO} (Min) (V)	V _{CE(SAT)} (Max) (V)	I _F (mA)	CTR (%)	tr (uS)	tf (uS)	Topr (Min) (degC)	Topr (Max) (degC)	Viso (V _{rms})
KL357N	4.4x4.0x2.0	1	1.2	80	0.2	5	50~600	3	4	-55	110	3750
KL357NL	4.4x4.0x2.0	1	1.3	80	0.3	0.1	50~600	8	12	-55	110	3750
KL357NH	4.4x4.0x2.0	1	1.2	80	0.3	5	50~600	6	8	-55	125	3750
KL357NU	4.4x4.0x2.0	1	1.3	60	0.35	0.5	50~600	3	4	-40	125	3750

4PIN SSOP-DC

UNIT : mm



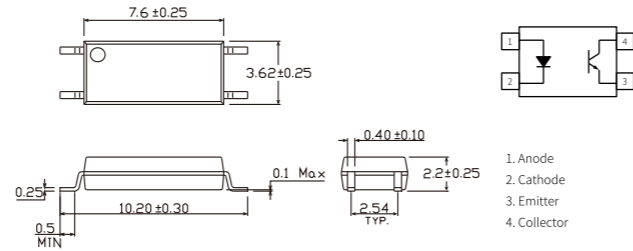
Product	Size (LxWxHmm)	Number of Channels	V _F (V)	BV _{CEO} (Min) (V)	V _{CE(SAT)} (Max) (V)	I _F (mA)	CTR (%)	tr (uS)	tf (uS)	Topr (Min) (degC)	Topr (Max) (degC)	Viso (V _{rms})
KL3H7	4.4x2.68x2.0	1	1.2	80	0.2	5	50~600	5	3	-55	110	3750
KL3H7L	4.4x2.68x2.0	1	1.3	80	0.3	0.1	50~600	8	12	-55	110	3750
KL3H7H	4.4x2.68x2.0	1	1.2	80	0.3	5	50~600	6	8	-55	125	3750
KL3H7U	4.4x2.68x2.0	1	1.3	60	0.4	0.5	50~600	8	10	-40	125	3750

PHOTO TRANSISTOR

4PIN LONG CREEPAGE



UNIT : mm

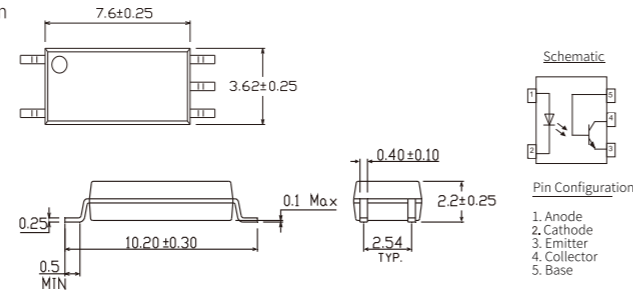


Product	Size (LxWxHmm)	Number of Channels	V _F (V)	BV _{CEO} (Min) (V)	V _{CE(SAT)} (Max) (V)	I _F (mA)	CTR (%)	tr (uS)	tf (uS)	ton (uS)	toff (uS)	Topr (Min) (degC)	Topr (Max) (degC)	Viso (V _{rms})
KL1010	7.6x3.62x2.2	1	1.45	80	0.3	5	50~600	2	3	4	3	-55	110	5000
KL1012	7.6x3.62x2.2	1	1.45	80	0.3	10	63~125	2	3	4	3	-55	110	5000
KL1013	7.6x3.62x2.2	1	1.45	80	0.3	10	100~200	2	3	4	3	-55	110	5000
KL1014	7.6x3.62x2.2	1	1.45	80	0.3	10	160~320	2	3	4	3	-55	110	5000
KL1017	7.6x3.62x2.2	1	1.45	80	0.3	5	80~160	2	3	4	3	-55	110	5000
KL1018	7.6x3.62x2.2	1	1.45	80	0.3	5	130~260	2	3	4	3	-55	110	5000
KL1019	7.6x3.62x2.2	1	1.45	80	0.3	5	200~400	2	3	4	3	-55	110	5000
KL101L	7.6x3.62x2.2	1	1.3	80	0.3	0.1	50~600	8	12	-	-	-55	110	5000
KL1010H	7.6x3.62x2.2	1	1.2	80	0.35	5	50~600	6	8	-	-	-55	125	5000
KL101U	7.6x3.62x2.2	1	1.3	60	0.35	0.5	50~600	-	-	1	50	-40	125	5000

5PIN LONG CREEPAGE



UNIT : mm



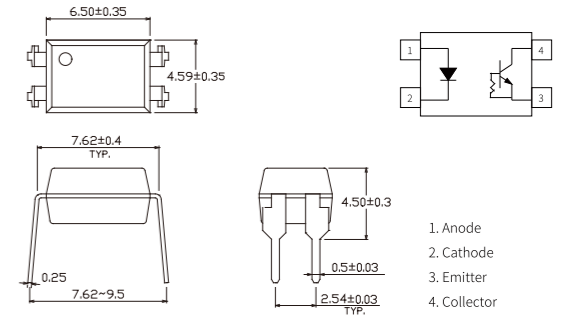
Product	Size (LxWxHmm)	Number of Channels	V _F (V)	BV _{CEO} (Min) (V)	V _{CE(SAT)} (Max) (V)	I _F (mA)	CTR (%)	tr (uS)	tf (uS)	ton (uS)	toff (uS)	Topr (Min) (degC)	Topr (Max) (degC)	Viso (V _{rms})
KL1110	7.6x3.62x2.2	1	1.45	80	0.3	5	50~600	2	3	4	3	-55	110	5000
KL1112	7.6x3.62x2.2	1	1.45	80	0.3	10	63~125	2	3	4	3	-55	110	5000
KL1113	7.6x3.62x2.2	1	1.45	80	0.3	10	100~200	2	3	4	3	-55	110	5000
KL1114	7.6x3.62x2.2	1	1.45	80	0.3	10	160~320	2	3	4	3	-55	110	5000
KL1116	7.6x3.62x2.2	1	1.45	80	0.3	5	100~300	2	3	4	3	-55	110	5000
KL1117	7.6x3.62x2.2	1	1.45	80	0.3	5	80~160	2	3	4	3	-55	110	5000
KL1118	7.6x3.62x2.2	1	1.45	80	0.3	5	130~260	2	3	4	3	-55	110	5000
KL1119	7.6x3.62x2.2	1	1.45	80	0.3	5	200~400	2	3	4	3	-55	110	5000

PHOTO TRANSISTOR

4PIN DIP-DC



UNIT : mm

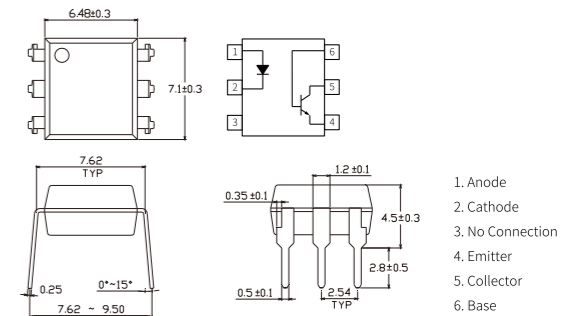


Product	Size (LxWxHmm)	Number of Channels	V _F (V)	BV _{CEO} (Min) (V)	V _{CE(SAT)} (Max) (V)	I _F (mA)	CTR (%)	tr (uS)	tf (uS)	ton (uS)	toff (uS)	Topr (Min) (degC)	Topr (Max) (degC)	Viso (V _{rms})
KL2514	6.5x4.59x3.5	1	1.2	40	0.35	5	50~200	-	-	15	15	-55	110	5000

6PIN DIP-DC



UNIT : mm

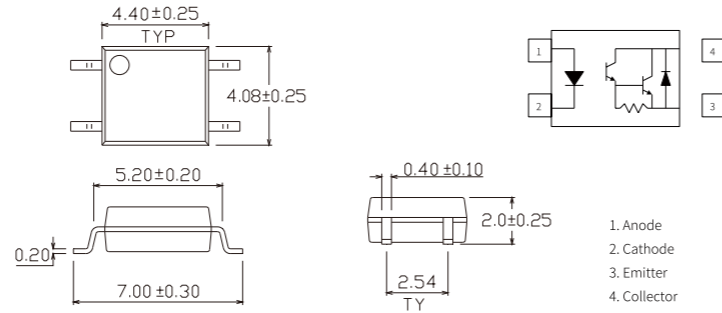


Product	Size (LxWxHmm)	Number of Channels	V _F (V)	BV _{CEO} (Min) (V)	V _{CE(SAT)} (Max) (V)	I _F (mA)	CTR (%)	tr (uS)	tf (uS)	ton (uS)	toff (uS)	Topr (Min) (degC)	Topr (Max) (degC)	Viso (V _{rms})
KL4N25	7.1x6.48x3.5	1	1.2	80	0.5	±10	>20	-	-	3	3	-55	110	5000
KL4N26	7.1x6.48x3.5	1	1.2	80	0.5	±10	>20	-	-	3	3	-55	110	5000
KL4N27	7.1x6.48x3.5	1	1.2	80	0.5	±10	>10	-	-	3	3	-55	110	5000
KL4N28	7.1x6.48x3.5	1	1.2	80	0.5	±10	>10	-	-	3	3	-55	110	5000
KL4N35	7.1x6.48x3.5	1	1.2	80	0.3	±10	>100	-	-	10	9	-55	110	5000
KL4N36	7.1x6.48x3.5	1	1.2	80	0.3	±10	>100	-	-	10	9	-55	110	5000
KL4N37	7.1x6.48x3.5	1	1.2	80	0.3	±10	>100	-	-	10	9	-55	110	5000
KL4N38	7.1x6.48x3.5	1	1.2	80	1	±10	>20	-	-	10	9	-55	110	5000

PHOTO DARLINGTON

4PIN SOP-DC

UNIT : mm

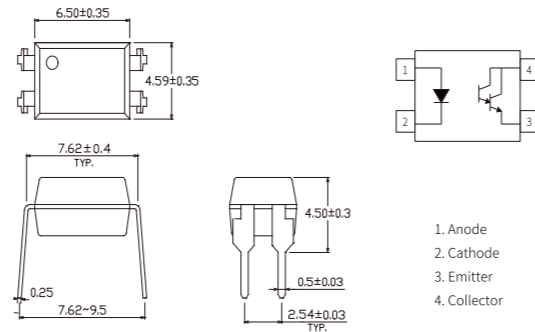


- 1. Anode
- 2. Cathode
- 3. Emitter
- 4. Collector

Product	Size (LxWxHmm)	Number of Channels	V _F (V)	BV _{CEO} (Min) (V)	V _{CE(SAT)} (Max) (V)	I _F (mA)	CTR (%)	tr (uS)	tf (uS)	ton (uS)	toff (uS)	Topr (Min) (degC)	Topr (Max) (degC)	Viso (V _{rms})
KL452	4.4x4.08x2.0	1	1.2	350	1.5	1	>1000	80	10	-	-	-55	110	3750

4PIN DIP-DC

UNIT : mm



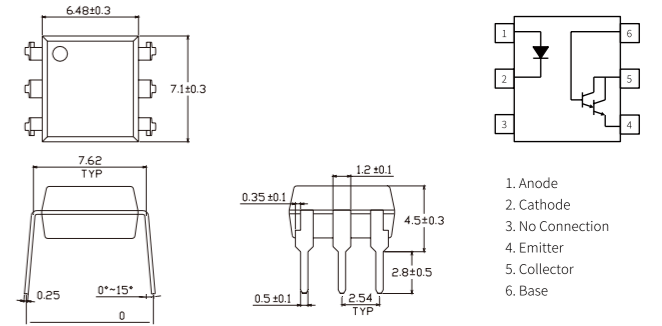
- 1. Anode
- 2. Cathode
- 3. Emitter
- 4. Collector

Product	Size (LxWxHmm)	Number of Channels	V _F (V)	BV _{CEO} (Min) (V)	V _{CE(SAT)} (Max) (V)	I _F (mA)	CTR (%)	tr (uS)	tf (uS)	ton (uS)	toff (uS)	Topr (Min) (degC)	Topr (Max) (degC)	Viso (V _{rms})
KL815	6.5x4.59x3.5	1	1.2	35	1	1	600~7500	60	53	-	-	-55	110	5000
KL852	6.5x4.59x3.5	1	1.2	350	1.2	1	1000~15000	300	100	-	-	-55	100	5000

PHOTO DARLINGTON

6PIN DIP-DC

UNIT : mm

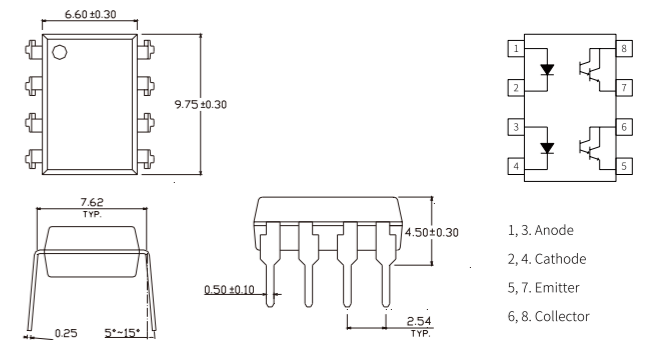


- 1. Anode
- 2. Cathode
- 3. No Connection
- 4. Emitter
- 5. Collector
- 6. Base

Product	Size (LxWxHmm)	Number of Channels	V _F (V)	BV _{CEO} (Min) (V)	V _{CE(SAT)} (Max) (V)	I _F (mA)	CTR (%)	tr (uS)	tf (uS)	ton (uS)	toff (uS)	Topr (Min) (degC)	Topr (Max) (degC)	Viso (V _{rms})
KL4N29	7.1x6.48x3.5	1	1.2	55	1	10	>100	-	-	5	40	-55	100	5000
KL4N30	7.1x6.48x3.5	1	1.2	55	1	10	>100	-	-	5	40	-55	100	5000
KL4N31	7.1x6.48x3.5	1	1.2	55	1.2	10	>50	-	-	5	40	-55	100	5000
KL4N32	7.1x6.48x3.5	1	1.2	55	1	10	>500	-	-	5	100	-55	100	5000
KL4N33	7.1x6.48x3.5	1	1.2	55	1	10	>500	-	-	5	100	-55	100	5000

8PIN DIP-DC

UNIT : mm



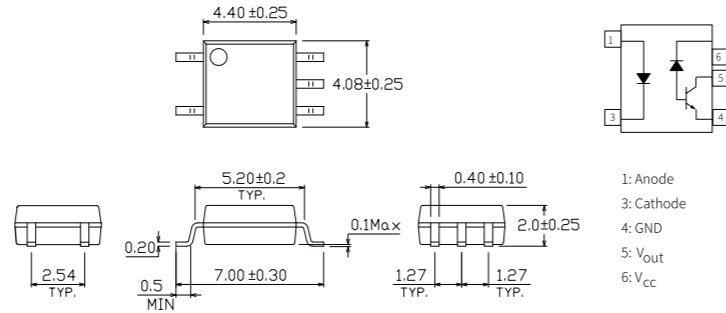
- 1, 3. Anode
- 2, 4. Cathode
- 5. Emitter
- 6, 8. Collector

Product	Size (LxWxHmm)	Number of Channels	V _F (V)	BV _{CEO} (Min) (V)	V _{CE(SAT)} (Max) (V)	I _F (mA)	CTR (%)	tr (uS)	tf (uS)	ton (uS)	toff (uS)	Topr (Min) (degC)	Topr (Max) (degC)	Viso (V _{rms})
KL825	9.75x6.6x3.5	2	1.2	40	1	1	600~7500	60	53	-	-	-55	110	5000

HIGH SPEED

5PIN SOP-DC

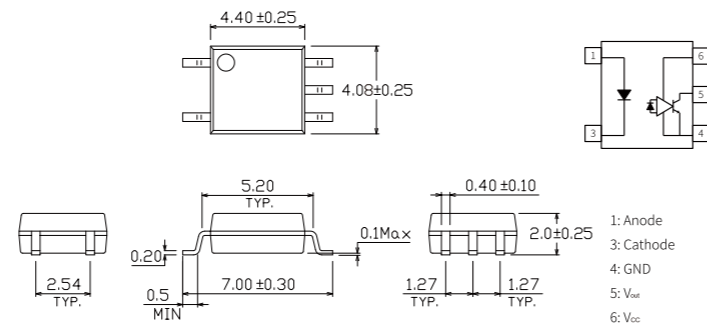
UNIT : mm



Product	Size (LxWxHmm)	Number of Channels	Data Transfer Rate (Mbps)	Supply Voltage (V)	tPHL (ns)	tPLH (ns)	I _{FT} (mA)	CTR (%)	CMR (V/us)	I _o (mA)	To _{pr} (Min) (degC)	To _{pr} (Max) (degC)	Viso (Vrms)
KLM452	4.4x4.08x2.0	1	1	30	40	35	-	20~50	5000	8	-40	85	3750
KLM453	4.4x4.08x2.0	1	1	30	40	35	-	20~50	15000	8	-40	85	3750
KLM453L	4.4x4.08x2.0	1	1	30	30	65	-	20~50	15000	8	-40	85	3750
KLM453H	4.4x4.08x2.0	1	1	30	350	450	-	>20	10000	8	-40	125	3750
KLM456	4.4x4.08x2.0	1	1	30	150	450	-	220	10000	15	-40	85	3750

5PIN SOP-DC

UNIT : mm

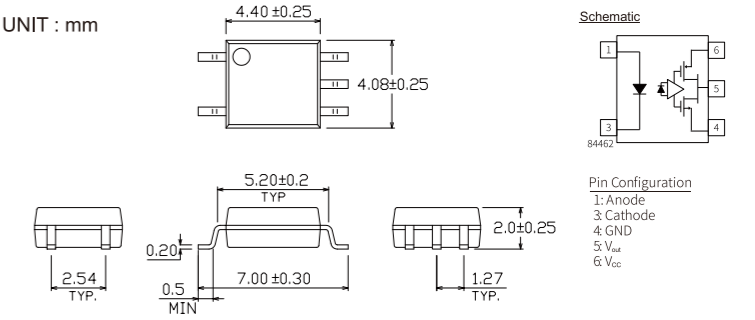


Product	Size (LxWxHmm)	Number of Channels	Data Transfer Rate (Mbps)	Supply Voltage (V)	tPHL (ns)	tPLH (ns)	I _{FT} (mA)	CTR (%)	CMR (V/us)	I _o (mA)	To _{pr} (Min) (degC)	To _{pr} (Max) (degC)	Viso (Vrms)
KLM600	4.4x4.08x2.0	1	10	7	41	50	5	-	-	50	-40	85	3750
KLM601	4.4x4.08x2.0	1	10	7	41	50	5	-	5000	50	-40	85	3750
KLM611	4.4x4.08x2.0	1	10	7	41	50	5	-	20000	50	-40	85	3750
KLM611H	4.4x4.08x2.0	1	10	7	41	55	5	-	15000	50	-40	125	3750

HIGH SPEED

5PIN SOP-DC

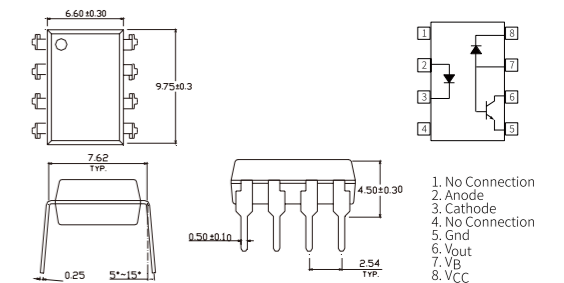
UNIT : mm



Product	Size (LxWxHmm)	Number of Channels	Data Transfer Rate (Mbps)	Supply Voltage (V)	tPHL (ns)	tPLH (ns)	I _{FT} (mA)	CTR (%)	CMR (V/us)	I _o (mA)	To _{pr} (Min) (degC)	To _{pr} (Max) (degC)	Viso (Vrms)
KLM80L	4.4x4.08x2.0	1	15	5.5	30	48	5	-	5000	20	-40	85	3750
KLM81L	4.4x4.08x2.0	1	15	5.5	30	48	5	-	10000	20	-40	85	3750

8PIN DIP-DC

UNIT : mm

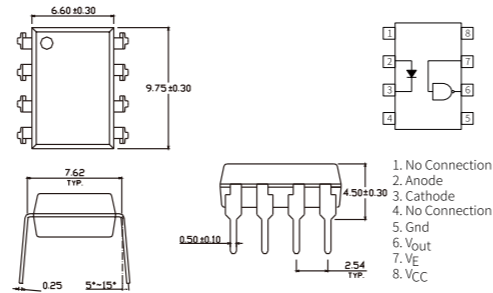


Product	Size (LxWxHmm)	Number of Channels	Data Transfer Rate (Mbps)	Supply Voltage (V)	tPHL (ns)	tPLH (ns)	I _{FT} (mA)	CTR (%)	CMR (V/us)	I _o (mA)	To _{pr} (Min) (degC)	To _{pr} (Max) (degC)	Viso (Vrms)
KL6N135	9.75x6.6x3.5	1	1	30	2000	2000	-	7~50	1000	8	-55	100	5000
KL6N136	9.75x6.6x3.5	1	1	30	1000	1000	-	19~50	1000	8	-55	100	5000

HIGH SPEED

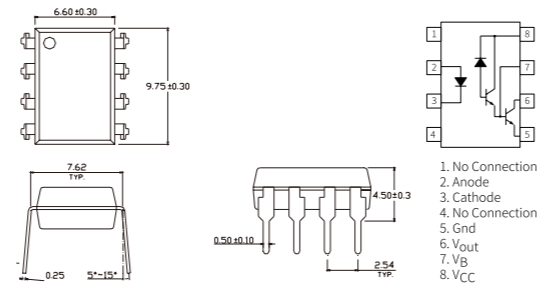
8PIN DIP-DC

UNIT : mm



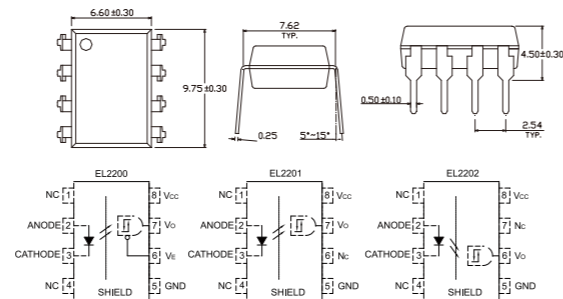
Product	Size (LxWxHmm)	Number of Channels	Data Transfer Rate (Mbps)	Supply Voltage (V)	tPHL (ns)	tPLH (ns)	I _{FT} (mA)	CTR (%)	CMR (V/us)	I _o (mA)	Topr (Min) (degC)	Topr (Max) (degC)	Viso (Vrms)
KL6N137	9.75x6.6x3.5	1	10	7	75	75	5	-	-	50	-40	85	5000

UNIT : mm



Product	Size (LxWxHmm)	Number of Channels	Data Transfer Rate (Mbps)	Supply Voltage (V)	tPHL (ns)	tPLH (ns)	I _{FT} (mA)	CTR (%)	CMR (V/us)	I _o (mA)	Topr (Min) (degC)	Topr (Max) (degC)	Viso (Vrms)
KL6N138	9.75x6.6x3.5	1	0.3	7	15000	50000	-	>300	1000	60	-40	85	5000
KL6N139	9.75x6.6x3.5	1	0.3	18	30000	90000	-	>500	1000	60	-40	85	5000

UNIT : mm

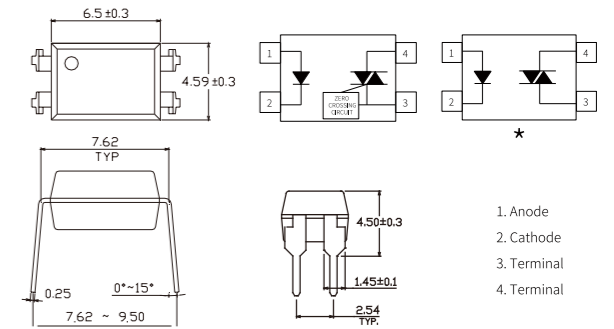


Product	Size (LxWxHmm)	Number of Channels	Data Transfer Rate (Mbps)	Supply Voltage (V)	tPHL (ns)	tPLH (ns)	I _{FT} (mA)	CTR (%)	CMR (V/us)	I _o (mA)	Topr (Min) (degC)	Topr (Max) (degC)	Viso (Vrms)
KL2200	9.75x6.6x3.5	1	5	20	300	300	1.6	-	1000	25	-40	85	5000
KL2201	9.75x6.6x3.5	1	5	20	300	300	1.6	-	1000	25	-40	85	5000
KL2202	9.75x6.6x3.5	1	5	20	300	300	1.6	-	1000	25	-40	85	5000

TRIAC DRIVER

4PIN DIP-DC

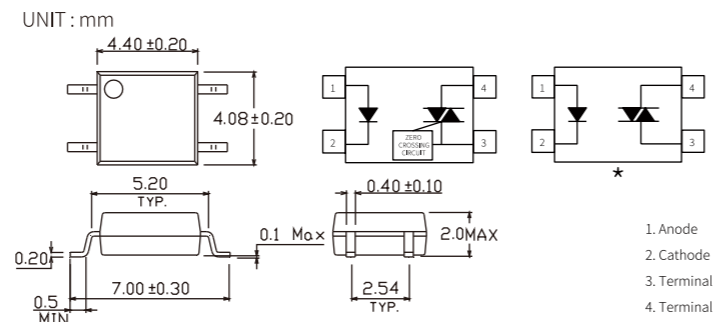
UNIT : mm



Product	Size (LxWxHmm)	Number of Channels	V _F (V)	V _{DRM} (Max) (V)	V _{TM} (V)	V _{INH} (V)	I _T (rms) (mA)	I _{FT} (mA)	Topr (Min) (degC)	Topr (Max) (degC)	Viso (Vrms)
KLT3041	6.5x4.58x3.5	1	1.5	400	3	20	70	15	-55	100	5000
KLT3042	6.5x4.58x3.5	1	1.5	400	3	20	70	10	-55	100	5000
KLT3043	6.5x4.58x3.5	1	1.5	400	3	20	70	5	-55	100	5000
KLT3061	6.5x4.58x3.5	1	1.5	600	3	20	70	15	-55	100	5000
KLT3062	6.5x4.58x3.5	1	1.5	600	3	20	70	10	-55	100	5000
KLT3063	6.5x4.58x3.5	1	1.5	600	3	20	70	5	-55	100	5000
KLT3081	6.5x4.58x3.5	1	1.5	800	3	20	70	15	-55	100	5000
KLT3082	6.5x4.58x3.5	1	1.5	800	3	20	70	10	-55	100	5000
KLT3083	6.5x4.58x3.5	1	1.5	800	3	20	70	5	-55	100	5000
*KLT3021	6.5x4.58x3.5	1	1.5	400	2.5	-	70	15	-55	100	5000
*KLT3022	6.5x4.58x3.5	1	1.5	400	2.5	-	70	10	-55	100	5000
*KLT3023	6.5x4.58x3.5	1	1.5	400	2.5	-	70	5	-55	100	5000
*KLT3051	6.5x4.58x3.5	1	1.5	600	2.5	-	70	15	-55	100	5000
*KLT3052	6.5x4.58x3.5	1	1.5	600	2.5	-	70	10	-55	100	5000
*KLT3053	6.5x4.58x3.5	1	1.5	600	2.5	-	70	5	-55	100	5000

TRIAC DRIVER

4PIN SOP-DC



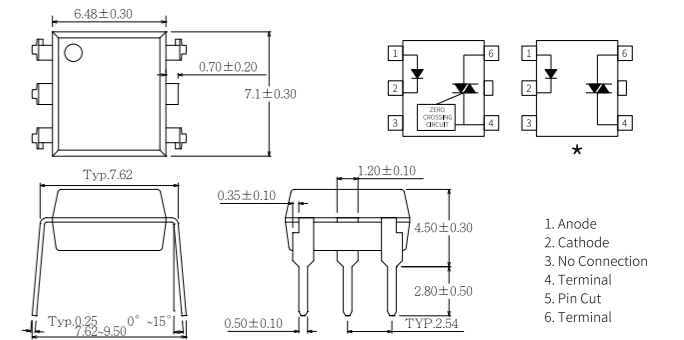
Product	Size (LxWxHmm)	Number of Channels	V _F (V)	V _{DRM} (Max) (V)	V _{TM} (V)	V _{INH} (V)	I _T (rms) (mA)	I _{FT} (mA)	Topr (Min) (degC)	Topr (Max) (degC)	Viso (Vrms)
KLM3042	4.4x4.1x2	1	1.5	400	3	20	70	10	-40	110	3750
KLM3043	4.4x4.1x2	1	1.5	400	3	20	70	5	-40	110	3750
KLM3044	4.4x4.1x2	1	1.5	400	3	20	70	3	-40	110	3750
KLM3062	4.4x4.1x2	1	1.5	600	3	20	70	10	-40	110	3750
KLM3063	4.4x4.1x2	1	1.5	600	3	20	70	5	-40	110	3750
KLM3064	4.4x4.1x2	1	1.5	600	3	20	70	3	-40	110	3750
KLM3082	4.4x4.1x2	1	1.5	800	3	20	70	10	-40	110	3750
KLM3083	4.4x4.1x2	1	1.5	800	3	20	70	5	-40	110	3750
KLM3084	4.4x4.1x2	1	1.5	800	3	20	70	3	-40	110	3750
*KLM3022	4.4x4.1x2	1	1.5	400	2.5	-	70	10	-40	110	3750
*KLM3023	4.4x4.1x2	1	1.5	400	2.5	-	70	5	-40	110	3750
*KLM3024	4.4x4.1x2	1	1.5	400	2.5	-	70	3	-40	110	3750
*KLM3052	4.4x4.1x2	1	1.5	600	2.5	-	70	10	-40	110	3750
*KLM3053	4.4x4.1x2	1	1.5	600	2.5	-	70	5	-40	110	3750
*KLM3054	4.4x4.1x2	1	1.5	600	2.5	-	70	3	-40	110	3750

TRIAC DRIVER

5PIN DIP-DC



UNIT : mm



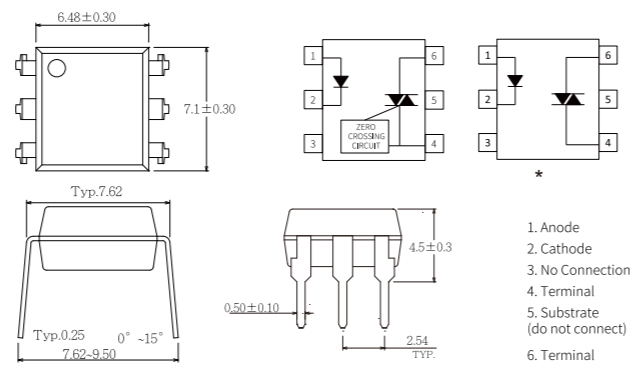
Product	Size (LxWxHmm)	Number of Channels	V _F (V)	V _{DRM} (Max) (V)	V _{TM} (V)	V _{INH} (V)	I _T (rms) (mA)	I _{FT} (mA)	Topr (Min) (degC)	Topr (Max) (degC)	Viso (Vrms)
KL3031-P5	7.12x6.5x3.5	1	1.5	250	3	20	100	15	-55	100	5000
KL3032-P5	7.12x6.5x3.5	1	1.5	250	3	20	100	10	-55	100	5000
KL3033-P5	7.12x6.5x3.5	1	1.5	250	3	20	100	5	-55	100	5000
KL3041-P5	7.12x6.5x3.5	1	1.5	400	3	20	100	15	-55	100	5000
KL3042-P5	7.12x6.5x3.5	1	1.5	400	3	20	100	10	-55	100	5000
KL3043-P5	7.12x6.5x3.5	1	1.5	400	3	20	100	5	-55	100	5000
KL3061-P5	7.12x6.5x3.5	1	1.5	600	3	20	100	15	-55	100	5000
KL3062-P5	7.12x6.5x3.5	1	1.5	600	3	20	100	10	-55	100	5000
KL3063-P5	7.12x6.5x3.5	1	1.5	600	3	20	100	5	-55	100	5000
KL3081-P5	7.12x6.5x3.5	1	1.5	800	3	20	100	15	-55	100	5000
KL3082-P5	7.12x6.5x3.5	1	1.5	800	3	20	100	10	-55	100	5000
KL3083-P5	7.12x6.5x3.5	1	1.5	800	3	20	100	5	-55	100	5000
*KL3010-P5	7.12x6.5x3.5	1	1.5	250	2.5	-	100	15	-55	100	5000
*KL3011-P5	7.12x6.5x3.5	1	1.5	250	2.5	-	100	10	-55	100	5000
*KL3012-P5	7.12x6.5x3.5	1	1.5	250	2.5	-	100	5	-55	100	5000
*KL3021-P5	7.12x6.5x3.5	1	1.5	400	2.5	-	100	15	-55	100	5000
*KL3022-P5	7.12x6.5x3.5	1	1.5	400	2.5	-	100	10	-55	100	5000
*KL3023-P5	7.12x6.5x3.5	1	1.5	400	2.5	-	100	5	-55	100	5000
*KL3051-P5	7.12x6.5x3.5	1	1.5	600	2.5	-	100	15	-55	100	5000
*KL3052-P5	7.12x6.5x3.5	1	1.5	600	2.5	-	100	10	-55	100	5000
*KL3053-P5	7.12x6.5x3.5	1	1.5	600	2.5	-	100	5	-55	100	5000

TRIAC DRIVER

6PIN DIP-DC



UNIT : mm



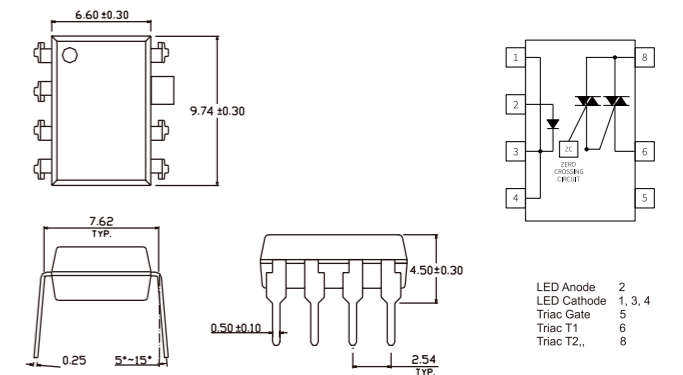
Product	Size (LxWxHmm)	Number of Channels	V _F (V)	V _{DRM} (Max) (V)	V _{TM} (V)	V _{INH} (V)	I _T (rms) (mA)	I _{FT} (mA)	To _{pr} (Min) (degC)	To _{pr} (Max) (degC)	Viso (Vrms)
KL3031	7.12x6.5x3.5	1	1.5	250	3	20	100	15	-55	100	5000
KL3032	7.12x6.5x3.5	1	1.5	250	3	20	100	10	-55	100	5000
KL3033	7.12x6.5x3.5	1	1.5	250	3	20	100	5	-55	100	5000
KL3041	7.12x6.5x3.5	1	1.5	400	3	20	100	15	-55	100	5000
KL3042	7.12x6.5x3.5	1	1.5	400	3	20	100	10	-55	100	5000
KL3043	7.12x6.5x3.5	1	1.5	400	3	20	100	5	-55	100	5000
KL3061	7.12x6.5x3.5	1	1.5	600	3	20	100	15	-55	100	5000
KL3062	7.12x6.5x3.5	1	1.5	600	3	20	100	10	-55	100	5000
KL3063	7.12x6.5x3.5	1	1.5	600	3	20	100	5	-55	100	5000
KL3081	7.12x6.5x3.5	1	1.5	800	3	20	100	15	-55	100	5000
KL3082	7.12x6.5x3.5	1	1.5	800	3	20	100	10	-55	100	5000
KL3083	7.12x6.5x3.5	1	1.5	800	3	20	100	5	-55	100	5000
*KL3010	7.12x6.5x3.5	1	1.5	250	2.5	-	100	15	-55	100	5000
*KL3011	7.12x6.5x3.5	1	1.5	250	2.5	-	100	10	-55	100	5000
*KL3012	7.12x6.5x3.5	1	1.5	250	2.5	-	100	5	-55	100	5000
*KL3020	7.12x6.5x3.5	1	1.5	400	2.5	-	100	30	-55	100	5000
*KL3021	7.12x6.5x3.5	1	1.5	400	2.5	-	100	15	-55	100	5000
*KL3022	7.12x6.5x3.5	1	1.5	400	2.5	-	100	10	-55	100	5000
*KL3023	7.12x6.5x3.5	1	1.5	400	2.5	-	100	5	-55	100	5000
*KL3051	7.12x6.5x3.5	1	1.5	600	2.5	-	100	15	-55	100	5000
*KL3052	7.12x6.5x3.5	1	1.5	600	2.5	-	100	10	-55	100	5000
*KL3053	7.12x6.5x3.5	1	1.5	600	2.5	-	100	5	-55	100	5000

TRIAC DRIVER

7PIN DIP-DC

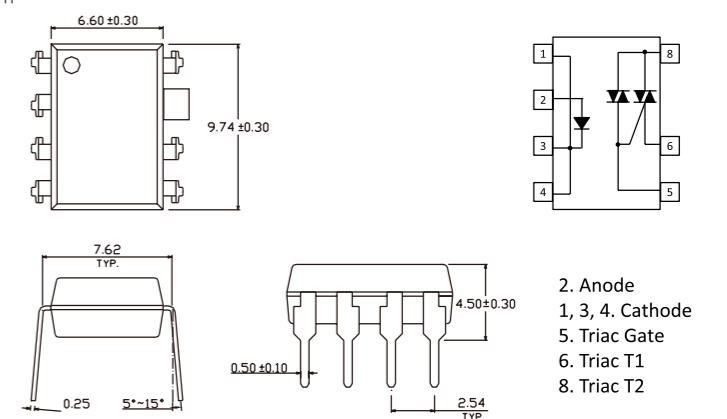


UNIT : mm



Product	Size (LxWxHmm)	Number of Channels	V _F (V)	V _{DRM} (Max) (V)	V _{TM} (V)	V _{INH} (V)	I _T (rms) (mA)	I _{FT} (mA)	To _{pr} (Min) (degC)	To _{pr} (Max) (degC)	Viso (Vrms)
KLR0213	9.74x6.5x3.5	1	1.4	600	2.5	20	300	10	-40	85	5000
KLR1213	9.74x6.5x3.5	1	1.4	600	2.5	20	600	10	-40	85	5000
KLR2213	9.74x6.5x3.5	1	1.4	600	2.5	20	900	10	-40	85	5000
KLR3213	9.74x6.5x3.5	1	1.4	600	2.5	20	1200	10	-40	85	5000

UNIT : mm

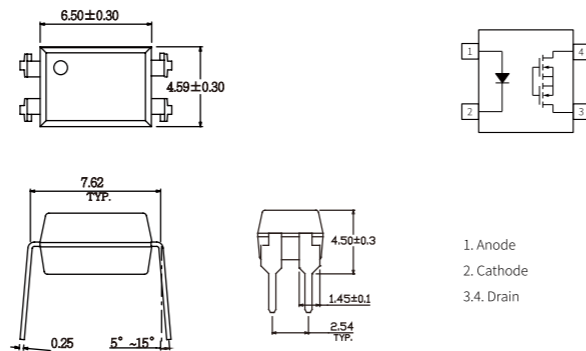


Product	Size (LxWxHmm)	Number of Channels	V _F (V)	V _{DRM} (Max) (V)	V _{TM} (V)	V _{INH} (V)	I _T (rms) (mA)	I _{FT} (mA)	To _{pr} (Min) (degC)	To _{pr} (Max) (degC)	Viso (Vrms)
KLR0223	9.74x6.5x3.5	1	1.4	600	2.5	-	300	10	-40	85	5000
KLR1223	9.74x6.5x3.5	1	1.4	600	2.5	-	600	10	-40	85	5000
KLR2223	9.74x6.5x3.5	1	1.4	600	2.5	-	900	10	-40	85	5000
KLR3223	9.74x6.5x3.5	1	1.4	600	2.5	-	1200	10	-40	85	5000

SOLID STATE RELAY

4PIN DIP-DC

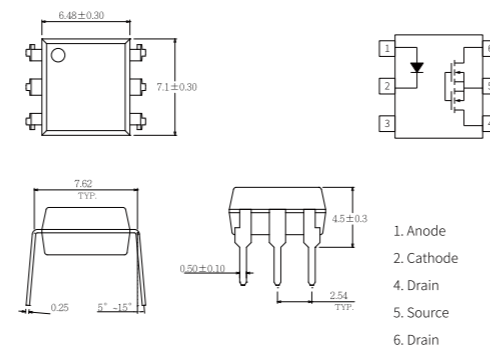
UNIT : mm



Product	Size (LxWxHmm)	Number of Channels	Load Voltage (V)	Load Current (mA)	R _{ON} (typ)(Ω)	I _{F-on} (Max) (mA)	To _{pr} (Min) (degC)	To _{pr} (Max) (degC)	Viso (Vrms)
KL406A	6.5x4.59x3.5	1	60	550	2.5	5	-40	85	5000
KL425A	6.5x4.59x3.5	1	250	150	15	5	-40	85	5000
KL440A	6.5x4.59x3.5	1	400	120	30	5	-40	85	5000
KL460A	6.5x4.59x3.5	1	600	50	70	5	-40	85	5000

6PIN DIP-DC

UNIT : mm

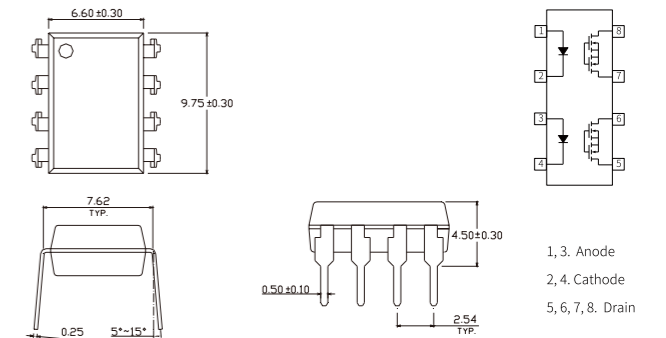


Product	Size (LxWxHmm)	Number of Channels	Load Voltage (V)	Load Current (mA)	R _{ON} (typ)(Ω)	I _{F-on} (Max) (mA)	To _{pr} (Min) (degC)	To _{pr} (Max) (degC)	Viso (Vrms)
KL606A	7.1x6.48x3.5	1	60	550	2.5	3	-40	85	5000
KL625A	7.1x6.48x3.5	1	250	150	15	3	-40	85	5000
KL640A	7.1x6.48x3.5	1	400	120	30	3	-40	85	5000
KL660A	7.1x6.48x3.5	1	600	50	70	3	-40	85	5000
KL606A3	7.1x6.48x3.5	1	600	2500	0.2	3	-40	85	5000

SOLID STATE RELAY

8PIN DIP-DC

UNIT : mm

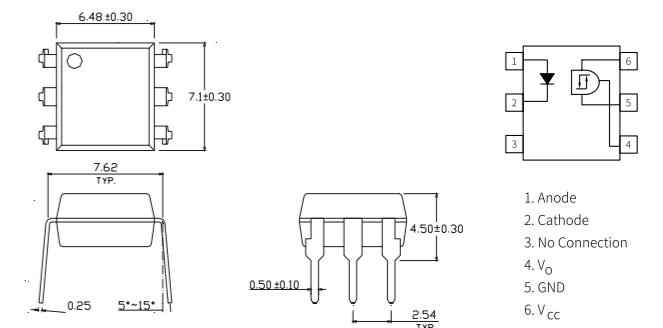


Product	Size (LxWxHmm)	Number of Channels	Load Voltage (V)	Load Current (mA)	R _{ON} (typ)(Ω)	I _{F-on} (Max) (mA)	To _{pr} (Min) (degC)	To _{pr} (Max) (degC)	Viso (Vrms)
KL840A	9.75x6.6x3.5	2	400	120	30	5	-40	85	5000
KL860A	9.75x6.6x3.5	2	600	50	70	5	-40	85	5000

SCHMITT TRIGGER

6PIN DIP-DC

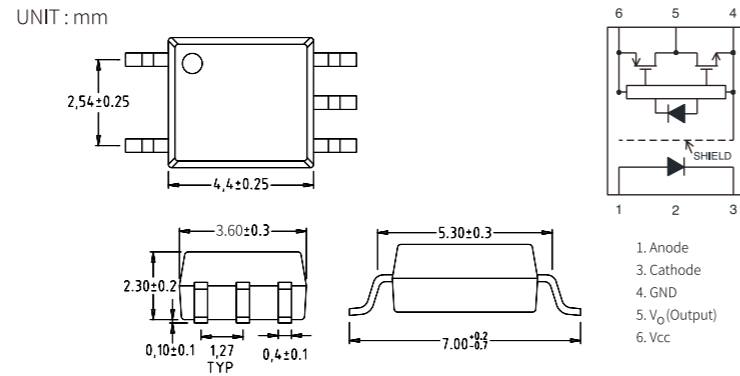
UNIT : mm



Product	Size (LxWxHmm)	Number of Channels	Data Transfer Rate (Mbps)	Supply Voltage (V)	t _r (uS)	t _f (uS)	I _{Fon} (mA)	To _{pr} (Min) (degC)	To _{pr} (Max) (degC)	Viso (Vrms)
KLH11L1	7.1x6.48x3.5	1	1	3~16	0.1	0.1	1.6	-55	100	5000
KLH11L2	7.1x6.48x3.5	1	1	3~16	0.1	0.1	10	-55	100	5000
KLH11L3	7.1x6.48x3.5	1	1	3~16	0.1	0.1	5	-55	100	5000

IGBT GATE DRIVER

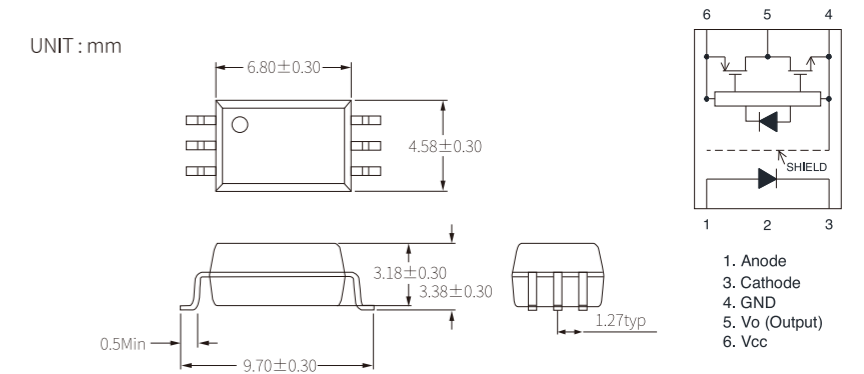
5PIN SOP-DC



Product	Size (LxWxHmm)	Number of Channels	IFLH (Max) (mA)	VCC (Min) (V)	VCC (Max) (V)	tPHL (ns)	tPLH (ns)	Output Current (A)	CMR (V/us)	Topr (Min) (degC)	Topr (Max) (degC)	Viso (Vrms)
KL155E	4.4x3.6x2.3	1	5	15	30	300	300	2.5	25000	-40	110	5000

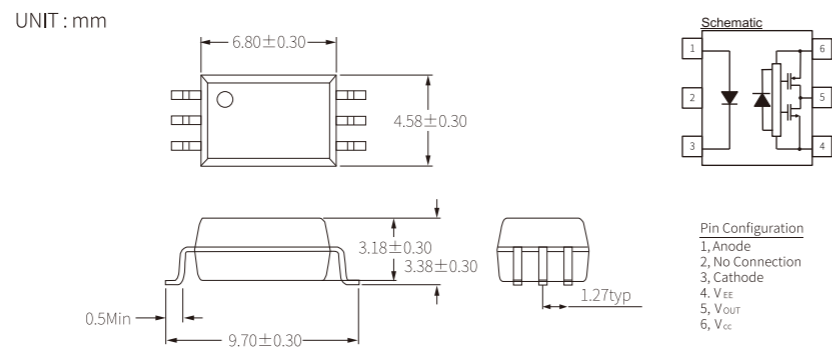
IGBT GATE DRIVER

6PIN SOP-DC

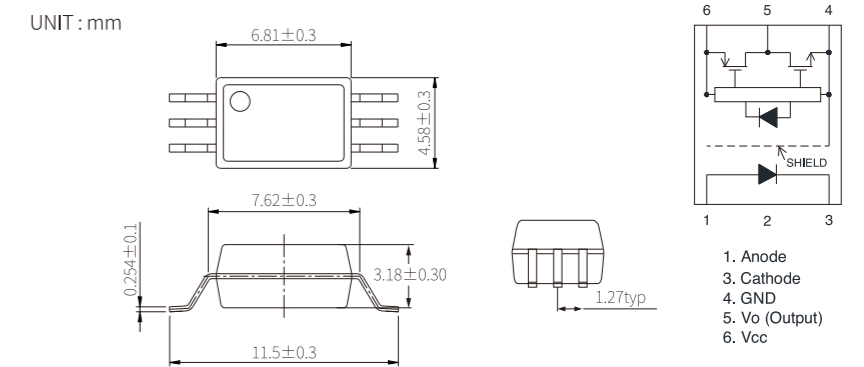


Product	Size (LxWxHmm)	Number of Channels	IFLH (Max) (mA)	VCC (Min) (V)	VCC (Max) (V)	tPHL (ns)	tPLH (ns)	Output Current (A)	CMR (V/us)	Topr (Min) (degC)	Topr (Max) (degC)	Viso (Vrms)
KL340P	6.8x4.58x3.18	1	5	15	30	200	200	1	20000	-40	105	5000
KL341P	6.8x4.58x3.18	1	5	15	30	200	200	3	20000	-40	105	5000

6PIN SDIP-DC



Product	Size (LxWxHmm)	Number of Channels	IFLH (Max) (mA)	VCC (Min) (V)	VCC (Max) (V)	tPHL (ns)	tPLH (ns)	Output Current (A)	CMR (V/us)	Topr (Min) (degC)	Topr (Max) (degC)	Viso (Vrms)
KLS3120	6.8x4.58x3.18	1	5	15	30	300	300	2.5	25000	-40	110	5000
KLS3150	6.8x4.58x3.18	1	5	15	30	400	400	1	15000	-40	110	5000

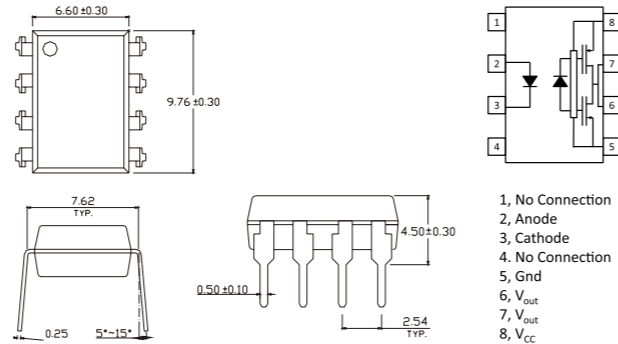


Product	Size (LxWxHmm)	Number of Channels	IFLH (Max) (mA)	VCC (Min) (V)	VCC (Max) (V)	tPHL (ns)	tPLH (ns)	Output Current (A)	CMR (V/us)	Topr (Min) (degC)	Topr (Max) (degC)	Viso (Vrms)
KL340W	6.8x4.58x3.18	1	5	15	30	200	200	1	20000	-40	105	5000
KL341W	6.8x4.58x3.18	1	5	15	30	200	200	3	20000	-40	105	5000

IGBT GATE DRIVER

8PIN DIP-DC

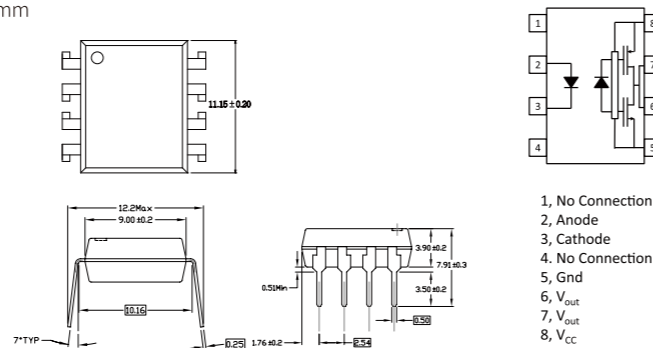
UNIT : mm



Product	Size (LxWxHmm)	Number of Channels	IFLH (Max) (mA)	VCC (Min) (V)	VCC (Max) (V)	tPHL (ns)	tPLH (ns)	Output Current (A)	CMR (V/us)	Topr (Min) (degC)	Topr (Max) (degC)	Viso (Vrms)
KL3120	9.76x6.6x3.5	1	5	15	30	300	300	2.5	25000	-40	110	5000
KL3140	9.76x6.6x3.5	1	5	15	30	300	300	0.6	25000	-40	110	5000
KL3150	9.76x6.6x3.5	1	5	15	30	300	300	1	25000	-40	110	5000

8PIN Wide Body DIP-DC

UNIT : mm

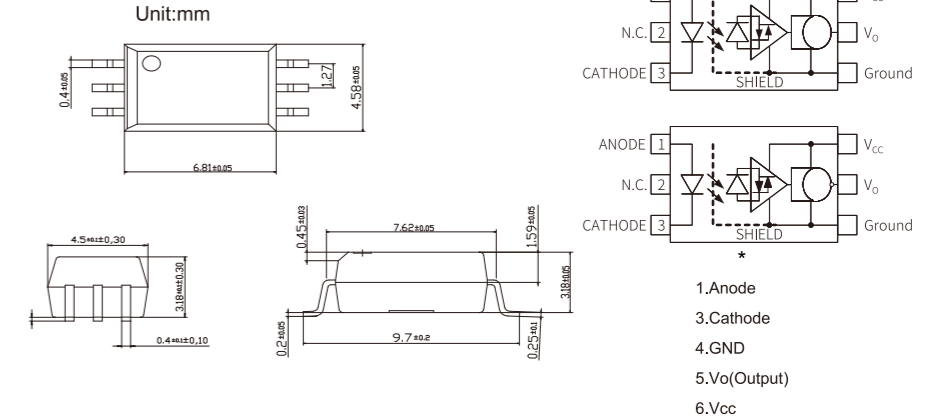


Product	Size (LxWxHmm)	Number of Channels	IFLH (Max) (mA)	VCC (Min) (V)	VCC (Max) (V)	tPHL (ns)	tPLH (ns)	Output Current (A)	CMR (V/us)	Topr (Min) (degC)	Topr (Max) (degC)	Viso (Vrms)
KLW3120	11.15x9x3.9	1	5	15	30	300	300	2.5	25000	-40	110	5000

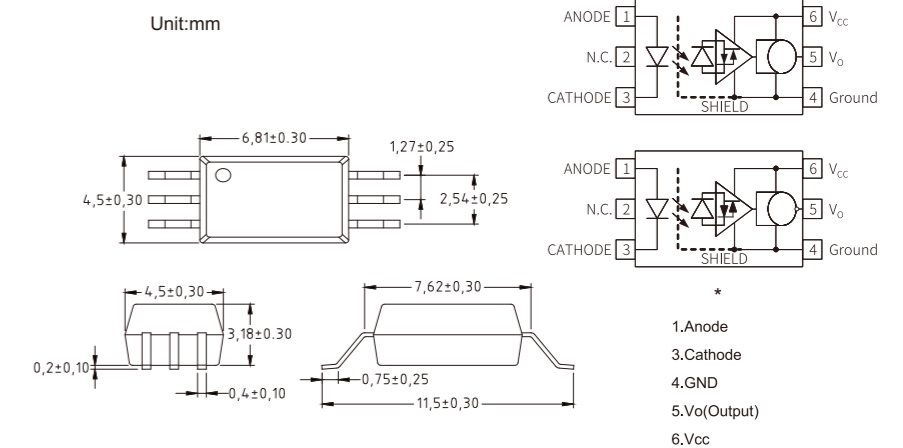
INTELLIGENT POWER MODULE DRIVER

6PIN SOP-DC

Unit:mm



Product	Size (LxWxHmm)	IFon Min (mA)	CTR			tPHL Max (us)	tPHL Max (us)	PDD Max (us)	CMR Min (V/us)	Viso @1min (Vrms)
			Min (%)	Max (%)	@IF (mA)					
KL480P	6.81x4.5x3.18	6	-	-	-	0.35	0.35	0.25	20000	5000
*KL481P	6.8x4.58x3.18	6	-	-	-	0.35	0.35	0.25	20000	3750



Product	Size (LxWxHmm)	IFon Min (mA)	CTR			tPHL Max (us)	tPHL Max (us)	PDD Max (us)	CMR Min (V/us)	Viso @1min (Vrms)
			Min (%)	Max (%)	@IF (mA)					
KL480W	6.81x4.5x3.18	6	-	-	-	0.35	0.35	0.25	20000	5000
*KL481W	6.8x4.58x3.18	6	-	-	-	0.35	0.35	0.25	20000	3750